



中国·齐力控股集团有限公司
CHINA·QILI HOLDING GROUP CO., LTD.
安徽齐力不锈钢制品有限公司
ANHUI QILI STAINLESS STEEL PRODUCTS CO., LTD.
安徽齐力金属制品有限公司
ANHUI QILI METAL PRODUCTS CO., LTD.

中国 CHINA

集团总部: 中国浙江省温州市滨海开发区滨海三路3839-1
生产基地: 安徽省怀宁经济技术开发区兴业路1号
锻造冲板基地: 安徽省怀宁经济开发区独秀大道32号
电话: +86-577-86990175
传真: +86-577-86990176
邮箱: sales@wzqlqjx.cn
网址: www.cnqlgroup.com www.cnqlstainless.com



小程序/Applets 国内官网/Website

国际 INTERNATIONAL

Headquarters: 3839-1 Binhai 3rd Road, Binhai Development Zone, Wenzhou, Zhejiang Province, China
Mass Production Factory: No. 1 Xingye Road, Huaining Economic Development Zone, Anhui Province
Forging & Punching Factory: No. 32 Duxiu Avenue, Huaining Economic Development Zone, Anhui Province
Tel: +86-577-86990175
Fax: +86-577-86990176
E-mail: sales@wzqlqjx.cn
Http: www.qilistainless.com www.sanitary-valve-fittings.com



国际官网/Website

中国·齐力控股集团
CHINA·QILI HOLDING GROUP



**PROFESSIONAL MANUFACTURER OF
SANITARY FLUID VALVE & PIPE FITTING SOLUTIONS**

高洁净流体设备阀门及管道连接部件
解决方案一站式专业制造商

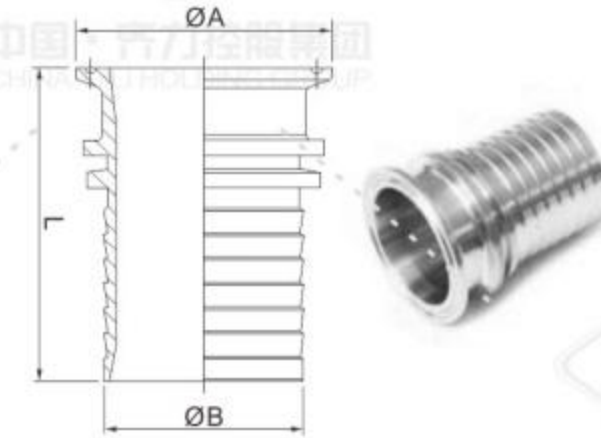
软管接头系列
HOSE FITTINGS SERIES





卡盘软管接头 Clamp Hose Adapter

No.QL-057



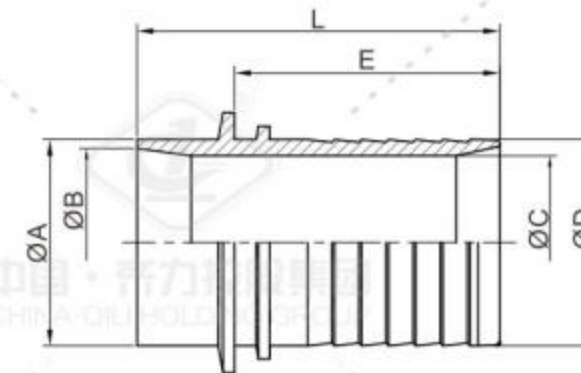
SIZE	ΦA	ΦB	L
1/2"	25.2/34	13	50
3/4"	25.2/34	19	60
1"	50.5	25	63
1-1/4"	50.5	32	65
1-1/2"	50.5	38	67
2"	64	50	77.5
2-1/2"	77.5	63	91.5
3"	91	76	105.7
4"	119	102	117.5

内抛光分6个等级6.levels of internal polishing					
表面要求 Surface requirements	机械抛光 Mechanical polishing		表面要求 Surface requirements	机械抛光机加电解抛光 Mechanical polishing machine and electrolytic polishing	
	U-in	U-m		U-in	U-m
SF0	无要求no request	无要求no request	SF4	15	0.38
SF1	20	0.51	SF5	20	0.51
SF2	25	0.64	SF6	25	0.64
SF3	30	0.76			

BPE抛光度 接头内壁粗糙度Ra<0.6um,可根据要求提供粗糙度Ra<0.4um的接头。
BPE polishing degree The inner wall roughness of the joint Ra<0.6um, and the joint with the roughness Ra<0.4um can be provided on request.

焊接扣压接头 Welded hose adapter

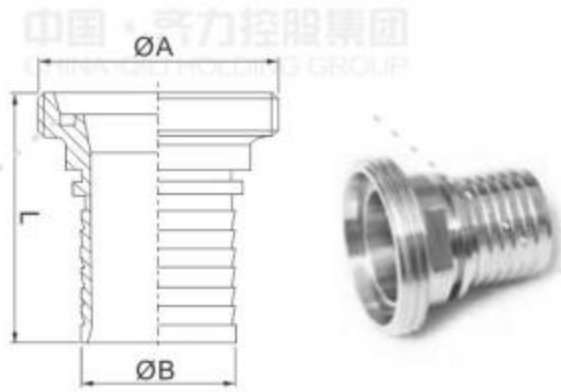
No.QL-058



SIZE	A	B	C	D	E	L
1"	25.4	22.1	20	25	48	63
1.5"	38.1	34.8	32.1	38	49	67
2"	50.8	47.5	44	50	55.5	77.5
2.5"	63.5	60.2	55	63	69.5	91.5
3"	76.2	72.9	69	76	83.5	105.7
4"	101.6	97.4	94	101.6	93.5	117.5

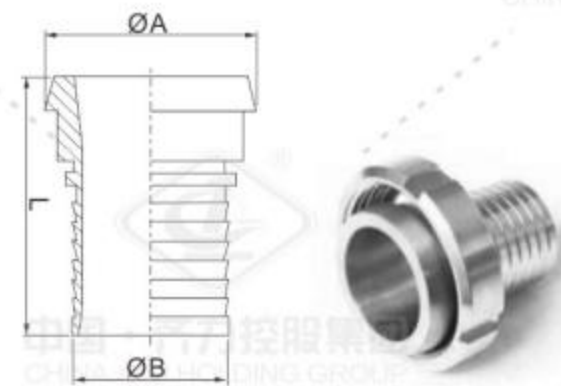
DIN软管接头 DIN hose adapter

No.QL-059



DIN公头
DIN male

SIZE	ØA	ØB	L
DN 20	RD44X1/6	19	63
DN 25	RD52X1/6	25	73
DN 38	RD65X1/6	38	74
DN 50	RD78X1/6	50	80.5
DN 65	RD95X1/6	63	106.5
DN 80	RD110X1/4	76	121.5
DN 100	RD130X1/4	102	130

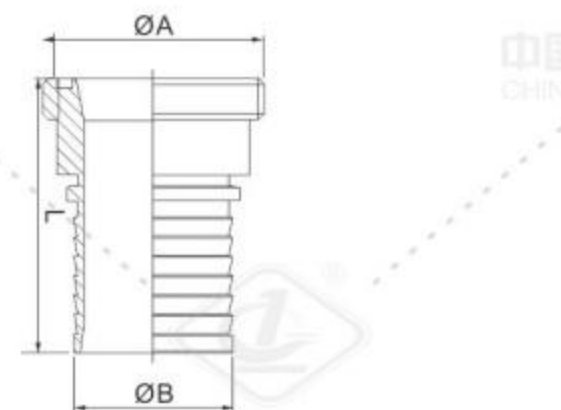


DIN母头
DIN female

SIZE	ØA	ØB	L
DN 20	36.5	19	62
DN 25	44	25	68
DN 38	56	38	69
DN 50	68	50	83.5
DN 65	68	63	101.5
DN 80	100	76	120.5
DN 100	121	102	137.5

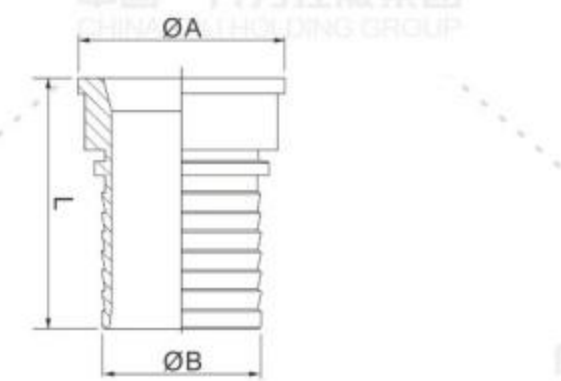
SMS软管接头 SMS hose adapter

No.QL-060



SMS公头
SMS male

SIZE	ØA	ØB	L
1"	RD40X1/6	25	69
1-1/2"	RD60X1/6	38	74
2"	RD70X1/6	50	80.5
2-1/2"	RD85X1/6	63	106.5
3"	RD98X1/6	76	120.5
4"	RD125X1/4	102	130

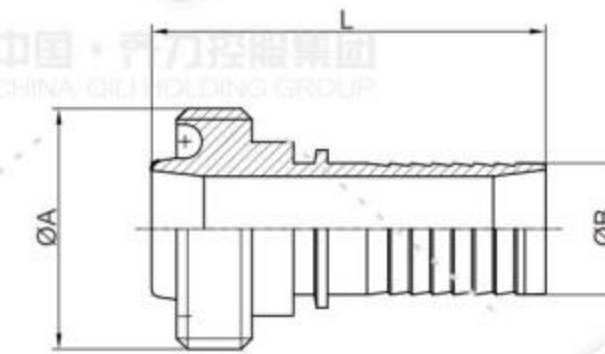


SMS母头
SMS female

SIZE	ØA	ØB	L
1"	35.5	25	61.5
1-1/2"	55	38	63
2"	65	50	79.5
2-1/2"	80	63	97.5
3"	93	76	113.5
4"	118	102	124.5

RJT公头扣压接头 RJT Male hose adapter

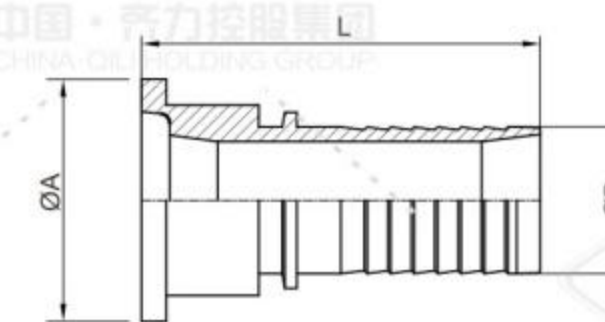
No.QL-061



SIZE	A	B	L
1"	45.720*8TRI WHIT	25	75
1.5"	58.420*8TRI WHIT	38	79
2"	72.720*6TRI WHIT	50	83.3
2.5"	85.420*6TRI WHIT	63	103.6
3"	98.120*6TRI WHIT	76	117.6
4"	123.520*6TRI WHIT	101.6	129.5

RJT母头扣压接头 RJT Female hose adapter

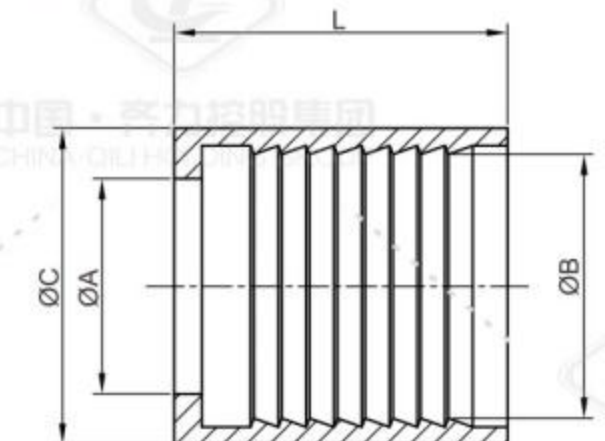
No.QL-062



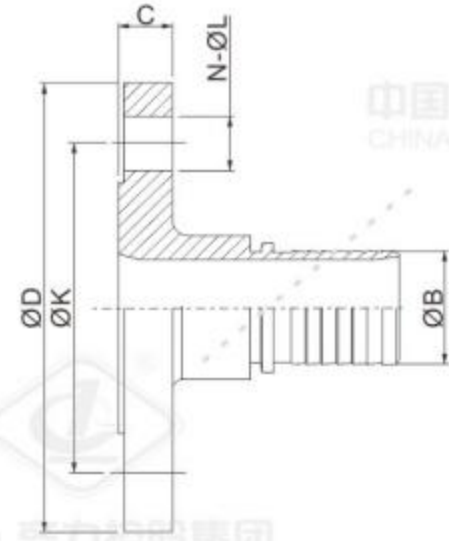
SIZE	A	B	L
1"	41.3	25	68
1.5"	54	38	69
2"	66.7	50	80.5
2.5"	79.4	63	96.5
3"	92.1	76	110.5
4"	117.5	101.6	120.5

软管接头套筒 Hose crimp

No.QL-063



SIZE	A	B	C	L
1/2"	19	26	33.5	35
3/4"	25	32	39.5	42
1"	31	38	45.5	48
1.5"	44	51	58.5	49
2"	58	64	72	55.5
2.5"	73	76	84	69.5
3"	83	89	97	83.5
4"	109	116	124	93.5



国标与欧标EN1092, 英标BS4504, 德标DIN2501法兰标准一致国标PN6
GB and European Standard En1092, British standard BS4504, German Standard DIN2501 FLANGE STANDARD PN6

No.QL-064

SIZE	ØD	ØK	ØL	N	C	ØB
15	80	55	11	4	12	13
20	90	65	11	4	14	19
25	100	75	11	4	14	25
32	120	90	14	4	16	32
40	130	100	14	4	16	38
50	140	110	14	4	16	50
65	160	130	14	4	16	63
80	190	150	18	4	18	76
100	210	170	18	4	18	102

国标PN10/PN16
GB PN10/PN16

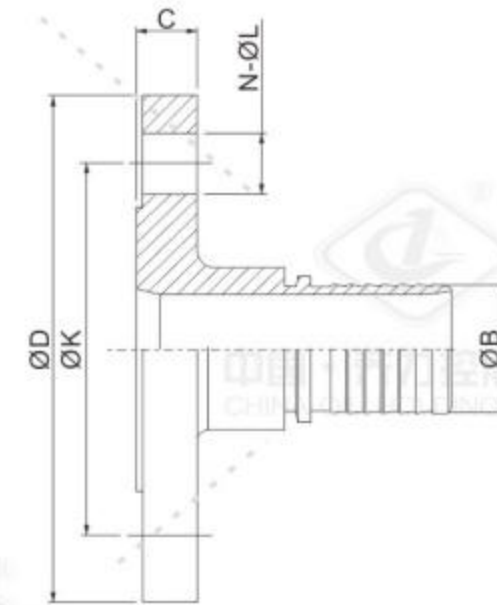
No.QL-065

SIZE	ØD	ØK	ØL	N	C	ØB
15	95	65	14	4	14	13
20	105	75	14	4	16	19
25	115	85	14	4	16	25
32	140	100	18	4	18	32
40	150	110	18	4	18	38
50	165	125	18	4	20	50
65	185	145	18	4	20	63
80	200	160	18	8	20	76
100	220	180	18	8	22	102

国标PN25
GB PN25

No.QL-066

SIZE	ØD	ØK	ØL	N	C	ØB
15	95	65	14	4	14	13
20	105	75	14	4	16	19
25	115	85	14	4	16	25
32	140	100	18	4	18	32
40	150	110	18	4	18	38
50	165	125	18	4	20	50
65	185	145	18	8	22	63
80	200	160	18	8	24	76
100	235	190	22	8	26	102



美标150LBS
American Standard 150LBS

No.QL-067

SIZE	ØD	ØK	ØL	N	C	ØB
1/2"	88.90	60.45	15.70	4	11.20	13
3/4"	98.60	69.85	15.70	4	12.70	19
1.0"	108.0	79.25	15.70	4	14.20	25
1.25"	117.3	88.90	15.70	4	15.70	32
1.5"	127.0	98.60	15.70	4	17.50	38
2.0"	152.4	120.7	19.10	4	19.10	50
2.5"	177.8	139.7	19.10	4	22.40	63
3.0"	190.5	152.4	19.10	4	23.90	76
4.0"	228.6	190.5	19.10	8	23.90	102

美标300LBS
American Standard 300LBS

No.QL-068

SIZE	ØD	ØK	ØL	N	C	ØB
1/2"	95.2	66.55	15.70	4	14.2	13
3/4"	117.3	82.50	19.00	4	15.7	19
1.0"	123.9	88.90	19.00	4	17.5	25
1.25"	133.3	98.60	19.00	4	19.0	32
1.5"	155.4	114.3	22.30	4	20.6	38
2.0"	165.1	127.0	19.00	8	22.3	50
2.5"	190.5	149.4	22.30	8	25.4	63
3.0"	209.5	168.1	22.30	8	28.4	76
4.0"	254	200.1	22.30	8	31.7	102