

中国·齐力控股集团
CHINA·QILI HOLDING GROUP



**PROFESSIONAL MANUFACTURER OF
SANITARY FLUID VALVE & PIPE FITTING SOLUTIONS**

高洁净流体设备阀门及管道连接部件
解决方案一站式专业制造商

卫生级止回阀系列&定制阀门

CHECK VALVE SERIES&CUSTOMIZED PRODUCTS



D

卫生级止回阀系列
Sanitary check valves series



卫生级止回阀 (RZ)
Sanitary Check Valve(RZ)

应用:
该类型止回阀用于不锈钢管道系统内, 以达到防止流体回流的目的。

工作原理:
止回阀是指依靠介质本身流动而自动开、闭阀瓣的一类阀门, 当阀杆下部的压力超过阀杆上面的压力以及弹簧力时, 止回阀阀瓣就会开启; 当阀杆上下压力平衡时, 止回阀就会关闭, 从而达到介质在管道的单向流动, 阻止液体的倒流, 防止事故发生。

技术数据:
若止回阀被安装在一根垂直的管道内, 开启阀门所需的压力大约为6Kpa, 最大输送物料压力为1000Kpa, 使用温度范围为 - 10°C-140°C。

材料:
钢制部件: 不锈钢304、不锈钢316L。
密封圈: 硅橡胶 (VMQ) 氟橡胶 (FPM) 三元乙丙 (EPDM)

Application:
A check valve, also called a one-way valve, is a device that allows the flow of fluids to move only in one direction.

Work Principle:
The working principle of the check valve is to allow one-way flow and automatically prevent reverse flow. This type of valve is sensitive to flow and relies on the medium to open and close the valve seat. The inner disc allows the medium to flow forward, thereby forcing the valve to open.

Technical Data:
If the check valve is installed in a vertical pipe, the pressure required to open the valve is about 6 KPA, the maximum conveying material pressure is 1000 KPA, the operating temperature range is -10 °C-140 °C.

Material:
Steel parts: 304 stainless steel, stainless steel 316L.
Seal: VMP,FPM,EPDM



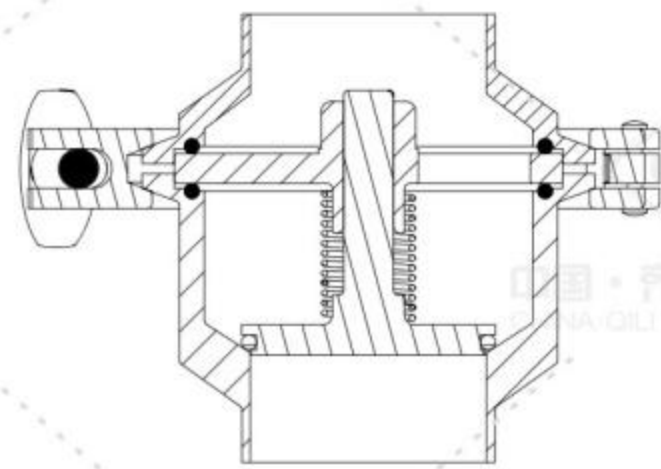
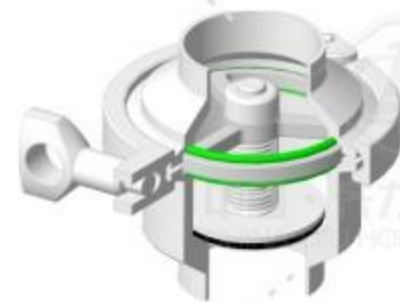
标注设计:

有各种标准的止回阀系列可向客户提供,即用于DIN标准系列,3A标准系列, SMS标准系列, ISO/IDF标准系列, BS/RJT标准系列, ASME/BPE等标准系列。止回阀的阀体分为两个部分,通过卡箍组装在一起,并用一种特殊密封圈进行密封。一个导向圆片和四个导向杆用来引导弹簧,并配有O型密封圈的阀芯。该类止回阀系列具有焊接式,卡箍式与外螺纹式连接端口,可适配各种管道连接。

Mark Design:

There are a variety standards of check valves available, namely for Din Standard Series, 3A standard series, SMS Standard Series, ISO/IDF standard series, BS/RJT standard series, ASME/BPE standard series.

The body of the check valve is divided into two parts, which are assembled by clamps and sealed with a special gasket. A guide disc and four guide rods guide the spring with an o-ring spool. The check valve has welded, clamp and male thread connections, suitable for a variety of pipe connections.

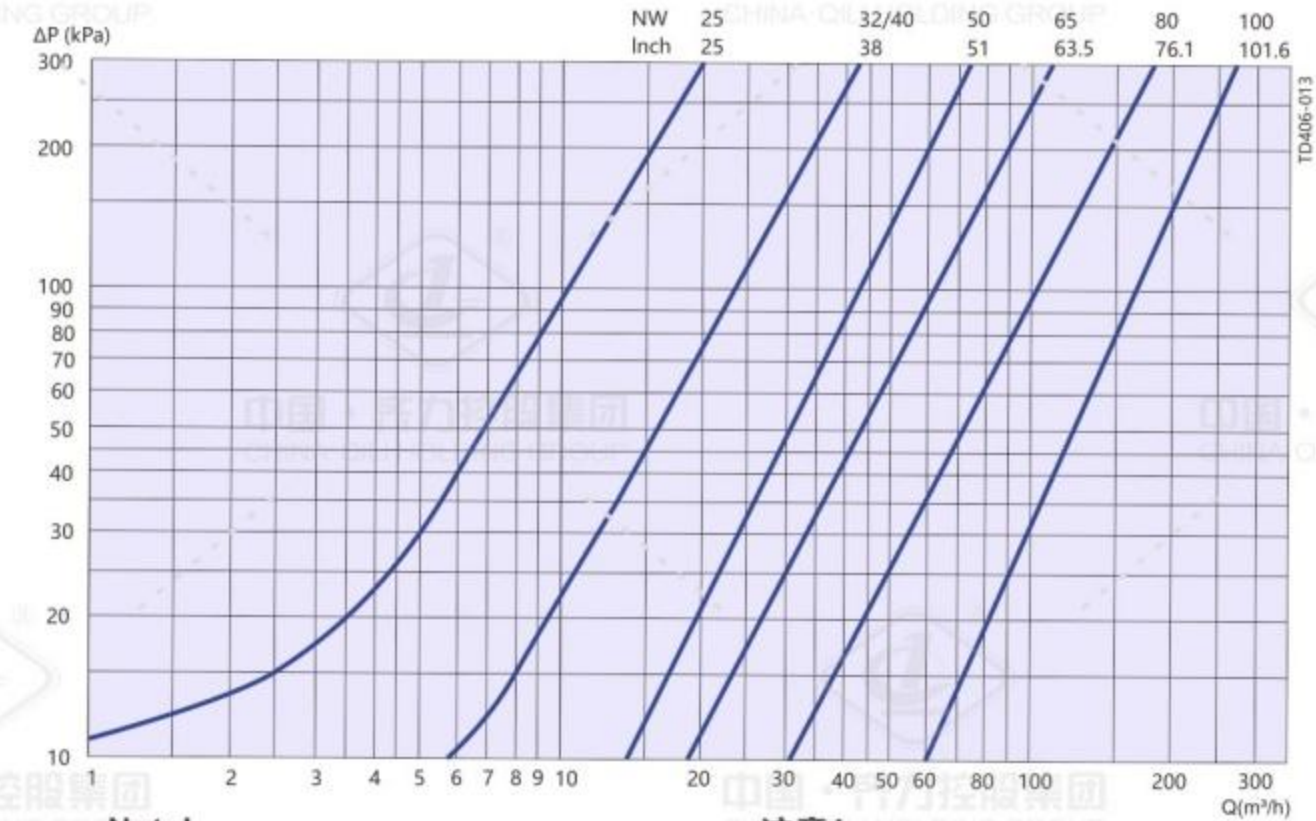


垂直放置显示了最佳内置情况。另外也可水平放置。四个阀锥腿确保了良好的指导线路。

When it's placed vertically, it's on the optimal built-in situation. It can also be placed horizontally. The four guide legs of the valve ensures good alignment.

处理能力/压力降对比图

Flow Rate Vs. Pressure Drop



Note!

For the diagram the following applies:
Medium: Water (20°C).
Measurement: In accordance with VDI 2173.

注意!

这些曲线图数据的测定系基于:
介质: 水 (水温20°C)
测量: 符合VDI 2173.

技术参数 Technical parameter

金属材料 Metallic material	与产品接触的零部件 Parts that contacts with the product 不与产品接触的零部件 Parts that are not in contact with the product	304/316L (1.4306/1.4404) 锻造 304/316L (1.4306/1.4404) forging 304/202 (1.4301/202)	可提供材质检测报告 Material inspection report is available
密封材质 Sealing material	标配 Standard 选配 other options	硅橡胶CMQ 三元乙丙EPDM/氟橡胶(FPM)	采用进口密封材料, 所有密封材质符合FDA 117.2600 Imported sealant. All sealants comply with FDA 117.2600
压力 Pressure	工作压力 Working pressure	0~10bar	
温度 Temperature	工作温度 Operating temperature 灭菌温度 Sterilization temperature	VMQ:(-50~+180°C)EODM:(-20~+135°C)FPM:(-30~+230°C) 150°C(MAX 20min)	
表面处理 Surface treatment	内表面处理 Inner surface treatment 外表面处理 External surface treatment	Ra≥0.4-0.8µm Ra≥0.8-1.6µm	
连接方式 Connection	焊接端管径 Diameter of welded end pipe 连接方式: 焊接、款装螺纹、内螺纹、法兰等	焊接口: DIN 11850-2与11850-1/SMS/3A/ISO/等系列 Welding interface: Din 11850-2 and 11850-1/SMS/3A/ISO/etc.	

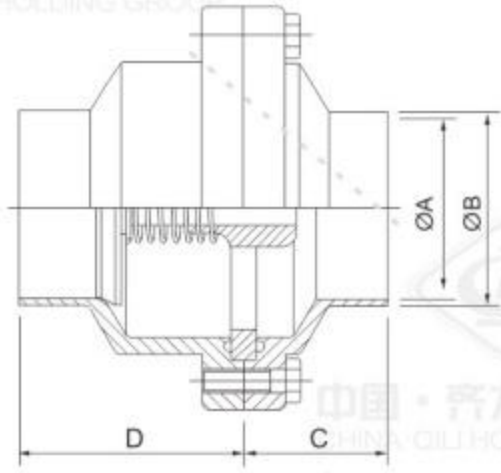
提阀的体积流量单位时间内流过蝶阀问某恒流面积的流体体积

体积流量: 立方米/小时(m³/h)详细技术数据请参阅(下页)
Volume flow: m³/h (m³/h) please refer to the next page for detailed technical data

Check Valve Middle Flange/weld End

No.QL-001

中国·齐力控股集团
CHINA QILI HOLDING GROUP



SIZE	ΦA	ΦB	C	D
1"	22.1	25.4	38	59
1.5"	34.8	38.1	38	59
2"	47.5	50.8	38	59
2.5"	60.2	63.5	38	59
3"	72.9	76.2	38	59
4"	97.6	101.6	44	50

SMS	ΦA	ΦB	C	D
DN25	22.5	25	38	59
DN38	35.5	38	38	59
DN50	48.5	51	38	59
DN63	60.3	63.5	38	59
DN76	72.1	76.1	38	59
DN100	100	104	44	50

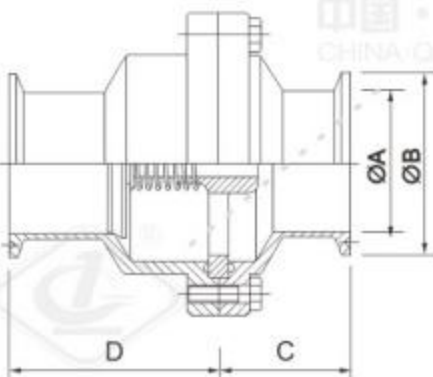
DIN	ΦA	ΦB	C	D
DN25	25	28	38	59
DN32	31	34	38	59
DN40	37	40	38	59
DN50	49	52	38	59
DN65	66	70	38	59
DN100	100	104	44	50



Check Valve Middle Flange/weld End

No.QL-002

中国·齐力控股集团
CHINA QILI HOLDING GROUP



SIZE	ΦA	ΦB	C	D
1"	22.1	50.5	50.7	71.7
1.5"	34.8	50.5	50.7	71.7
2"	47.5	64	50.7	71.7
2.5"	60.2	77.5	50.7	71.7
3"	72.9	91	50.7	71.7
4"	97.6	119	59.9	65.9

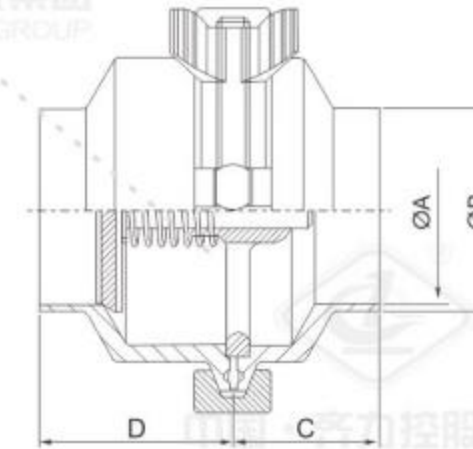
SMS	ΦA	ΦB	C	D
DN25	22.5	50.5	50.7	71.7
DN38	35.5	50.5	50.7	71.7
DN50	48.5	64	50.7	71.7
DN63	60.3	77.5	50.7	71.7
DN76	72.1	91	50.7	71.7
DN100	100	119	59.9	65.9



Check Valve Middle Clamp /weld End

No.QL-003

中国·齐力控股集团
CHINA QILI HOLDING GROUP



SIZE	ΦA	ΦB	C	D
1/2"	9.4	12.7	22	35
3/4"	15.75	19.05	22	35
1"	22.1	25.4	30.5	47.5
1.5"	34.8	38.1	30	50
2"	47.5	50.8	30	58
2.5"	60.2	63.5	37	58
3"	72.9	76.2	36	70
4"	97.6	101.6	37	68

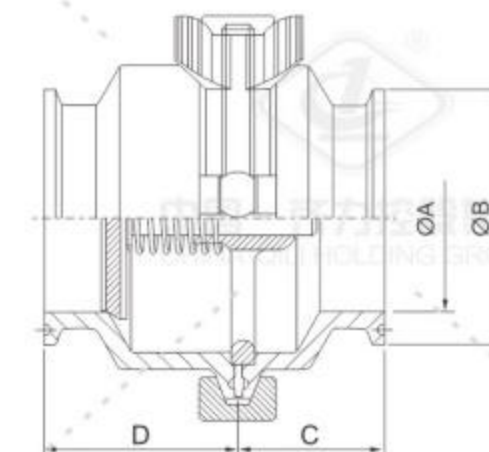
DIN	ΦA	ΦB	SMS	ΦA	ΦB	C	D
DN25	25	28	DN25	22.5	25	30.5	47.5
DN32	31	34	DN38	35.5	38	30	50
DN40	37	40	DN50	48.5	51	30	58
DN50	49	52	DN63	60.3	63.5	37	58
DN65	66	70	DN76	72.1	76.1	36	70
DN100	100	104	DN100	100	104	37	68



Check Valve Middle Clamp /Clamp End

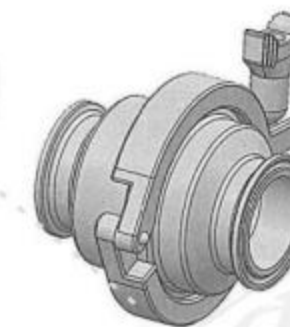
No.QL-004

中国·齐力控股集团
CHINA QILI HOLDING GROUP

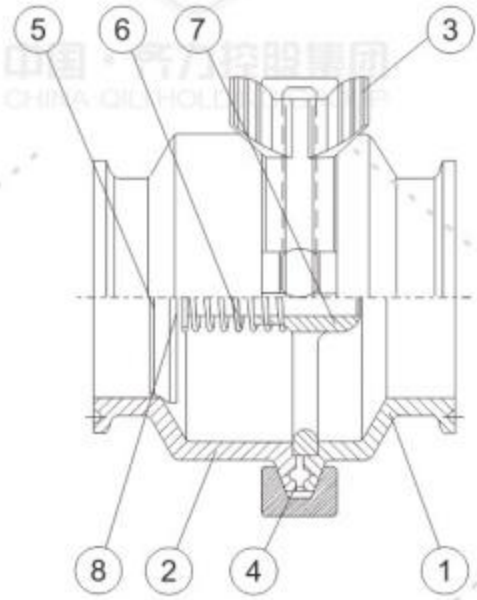


SIZE	ΦA	ΦB	C	D
1/2"	9.4	25.2	38.1	50.2
3/4"	15.75	25.2	38.1	50.2
1"	22.1	50.5	43	60
1.5"	34.8	50.5	42.5	62.5
2"	47.5	64	42.5	70.5
2.5"	60.2	77.5	49.5	70.5
3"	72.9	91	48.5	82.5
4"	97.6	119	52.7	83.7

DIN	ΦA	ΦB	SMS	ΦA	ΦB	C	D
DN25	25	50.5	DN25	22.5	50.5	44	60.8
DN32	31	50.5	DN38	35.5	50.5	48	68
DN40	37	50.5	DN50	48.5	64	50	78
DN50	49	64	DN63	60.3	77.5	57.8	78.8
DN65	66	91	DN76	72.1	91	60.8	94.8
DN100	100	119	DN100	100	119	87.7	118.7



3A	ΦA	ΦB	C	D
1/2"	9.4	25.2	38.1	50
3/4"	15.75	25.2	38.1	50
1"	22.1	50.5	43	61
1.5"	34.8	50.5	47.2	68
2"	47.5	64	49.8	78
2.5"	60.2	77.5	57.7	78
3"	72.9	91	60.3	94.5
4"	97.6	119	87.3	118.3



NO.	APRTS NAMF
1	短本体 Short body
2	长本体 long body
3	管束 tube bundle
4	垫圈 Washer
5	中心轴 central shaft
6	弹簧 Spring
7	固定版 National Edition
8	中心轴 Central Shaft

Oper pressure打开压力 (PSI)

1/2"	3/4"	1"	1 1/2"	2"	2 1/2"	3"	4"
0.5	0.5	0.8	0.9	1.2	1.3	1.8	3.0

Range of Check Valve:

Materials Steel parts:
Stainless steel SS316 (L)
Seal rings: EPDM Rubber or silicone/Viton (FKM)
Finish: ON≤0. 8, IDs0. 8or0. 4μm

Connections

The valve is available with welding ends for tubes according to 3A, SMS, BS, DIN 11851

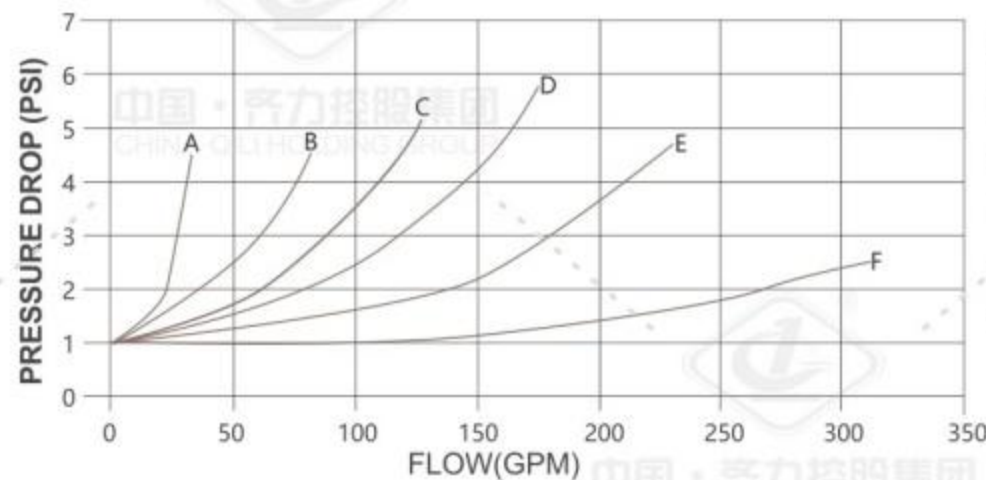
Technical data

Required different pressure for opening the valve fitted in a vertical pipe, as shown in fig. 3, the open press Max. product pressure: 1000kpa (10bar)

Materials grades

Gasket-Body-EPDM/Silicone/Viton (FKM) /NBR/PTFE
Flow Area-EPDM/Silicone/Viton (FKM)

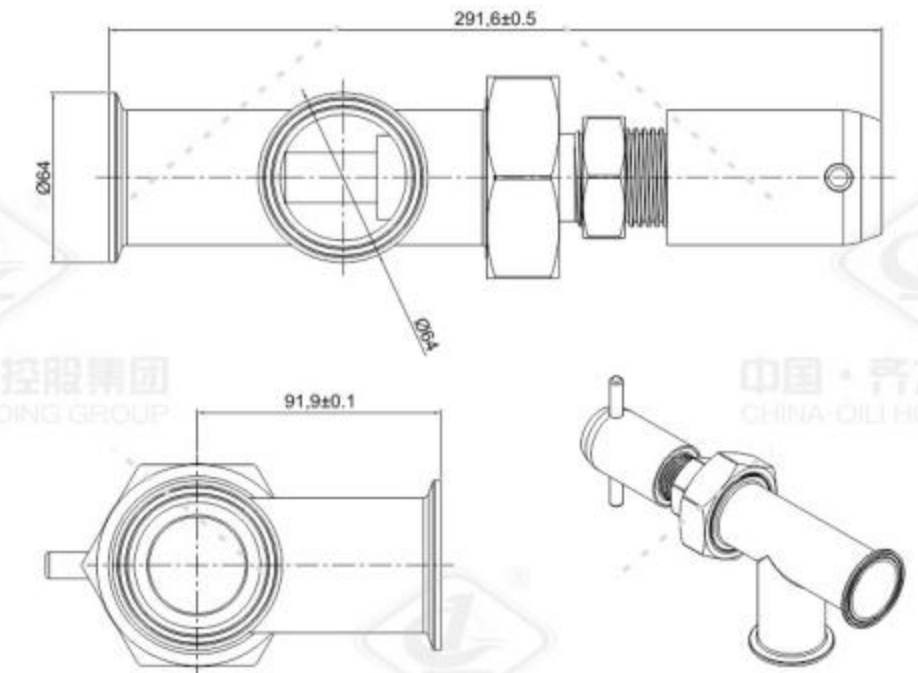
Spring check valves flow rate 流量表 (fig 3)



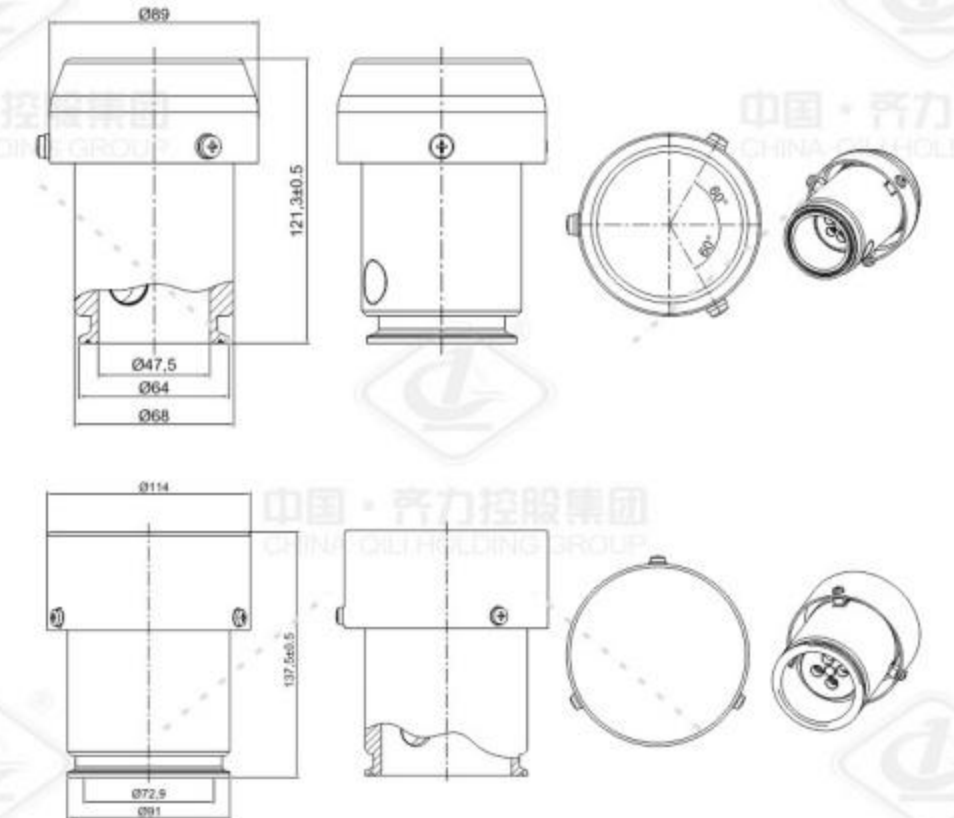
A-1/2", 3/4"
B-1"-1.5"
C-2"
D-2.5"
E-3"
F-4"

Note:
For the diagram the following applies:
Medium: Water (20°C)

减压阀 Clamp "L" body relief valve



呼吸防爆阀-1 Tank vent



管道适配器 Pipe adapters

No.QL-001

中国·齐力控股集团
CHINA QILI HOLDING GROUP

SIZE	ΦA±0.12	ΦB±0.12	L1±0.5	L2±0.5
3"	91	72.9	463.6	291.3
4"	119	97.4	520.7	314.4



管道适配器
Pipe adapters



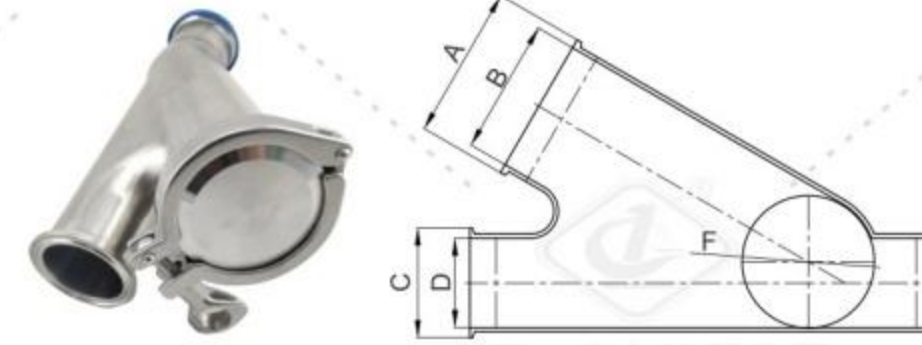
管道适配器的配件
Assembly for pipe adapters

Y型浮球止回阀 Y-type floating check valve

No.QL-005

中国·齐力控股集团
CHINA QILI HOLDING GROUP

SIZE	A	B	C	D	F
1.5"	64	47.6	50.5	34.9	41
2"	77.5	60.3	64	47.6	54
2.5"	119	90.5	77.5	60.3	90
3"	130	106	91	72.9	104
4"	166.88	146.8	119	97.4	144

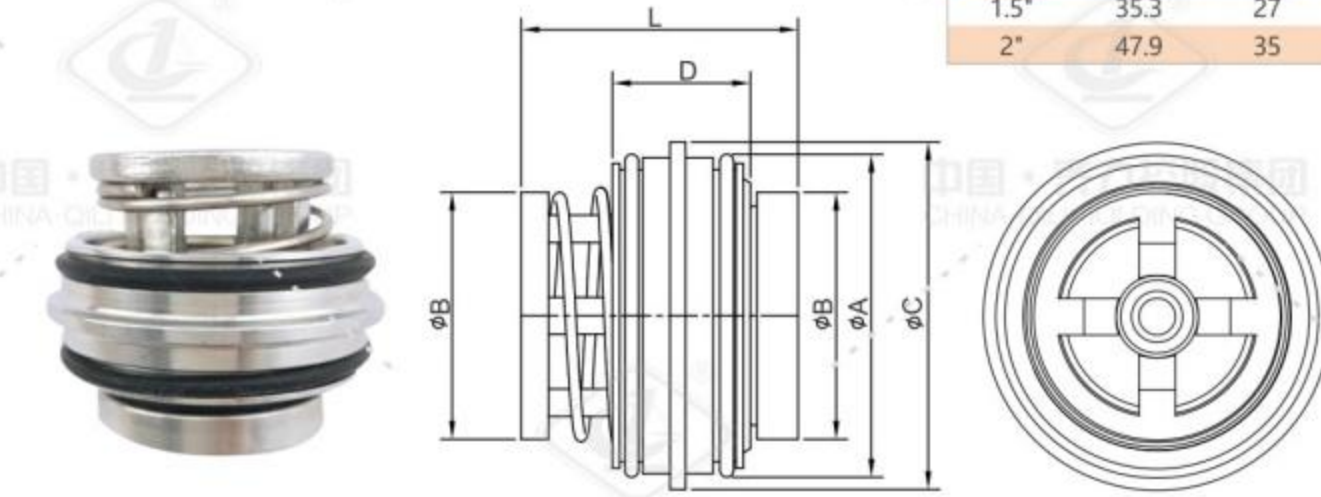


管道内止回阀 Sanitary Cartridge Valve

No.QL-006

中国·齐力控股集团
CHINA QILI HOLDING GROUP

SIZE	A	B	C	D	E
1.5"	35.3	27	38	15.2	30.5
2"	47.9	35	50.6	20	35

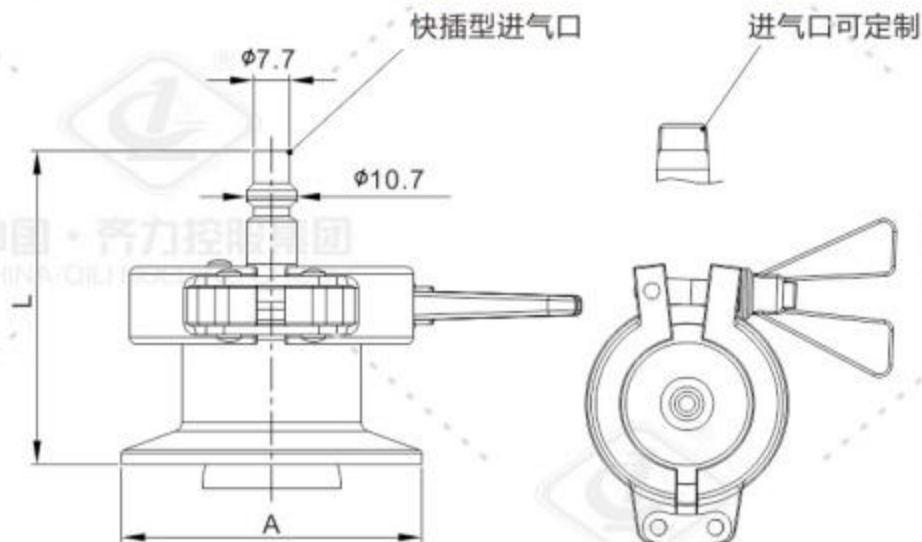


空气止回阀 Air Check Valve

No.QL-007

中国·齐力控股集团
CHINA QILI HOLDING GROUP

SIZE	A	L±1
1"&1/2"	50.50	66.50
2"	64	66.50
2 1/2"	77.50	66.50
3"	91	66.50
4"	119	66.50
6"	168	66.50



D 卫生级止回阀

Sanitary check valve



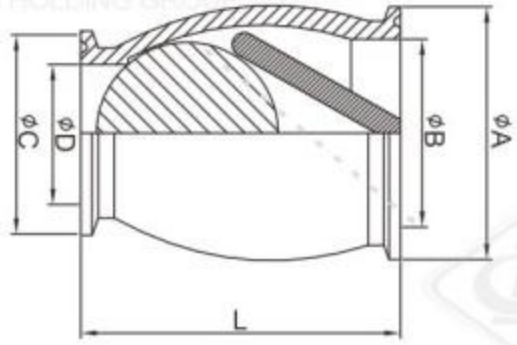
高洁净流体设备阀门及管道连接部件
解决方案专业制造商
PROFESSIONAL MANUFACTURER OF
SANITARY FLUID VALVE & PIPE FITTING SOLUTIONS

浮动球止回阀 Floating ball check valve

No.QL-008

中国·齐力控股集团
CHINA QILI HOLDING GROUP

SIZE	ΦA ±0.12	ΦB ±0.12	C ±0.12	D ±0.12	L ±0.5
2"X1.5"	64	47.6	50.5	35.5	81
2"	64	47.6	64	47.5	81



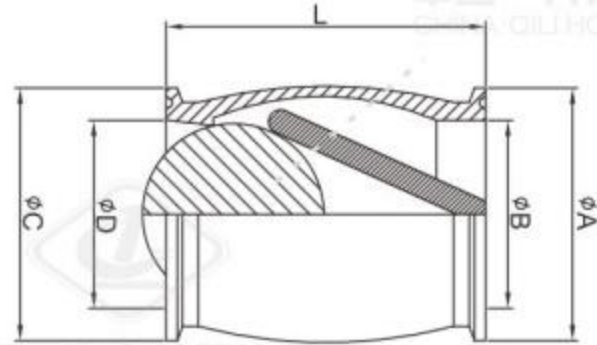
中国·齐力控股集团
CHINA QILI HOLDING GROUP

中国·齐力控股集团
CHINA QILI HOLDING GROUP

中国·齐力控股集团
CHINA QILI HOLDING GROUP

中国·齐力控股集团
CHINA QILI HOLDING GROUP

D 卫生级止回阀系列
Sanitary check valve series



中国·齐力控股集团
CHINA QILI HOLDING GROUP

中国·齐力控股集团
CHINA QILI HOLDING GROUP

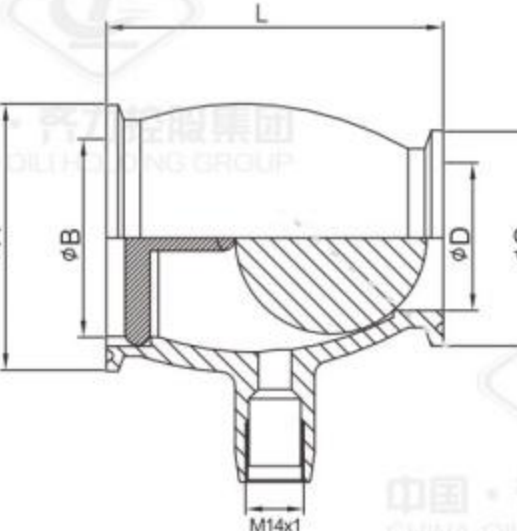
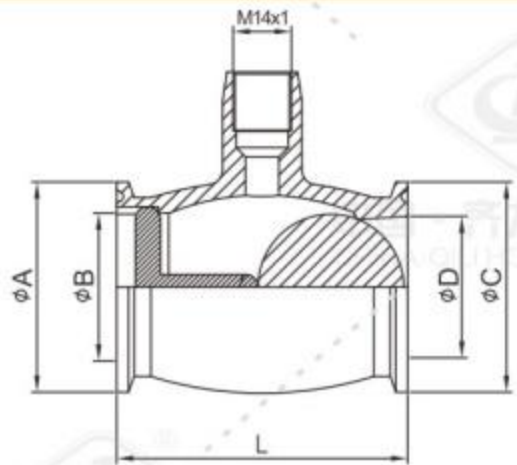
中国·齐力控股集团
CHINA QILI HOLDING GROUP

中国·齐力控股集团
CHINA QILI HOLDING GROUP

浮动球止回阀-带嘴 Floating ball check valve with spout

No.QL-009

SIZE	ΦA ±0.12	ΦB ±0.12	C ±0.12	D ±0.12	L ±0.5
1.5"	50.5	35.5	50.5	34	70
2"X1.5"	64	47.6	50.5	35.5	81



中国·齐力控股集团
CHINA QILI HOLDING GROUP



中国·齐力控股集团
CHINA QILI HOLDING GROUP

中国·齐力控股集团
CHINA QILI HOLDING GROUP

中国·齐力控股集团
CHINA QILI HOLDING GROUP

E 其他阀门系列

Other valve series

其他阀门系列
Other valve series





应用

应用需求遍及所有各类需要使两种不同的产品流经同一只阀门的防混操作中。主要应用于酿酒，乳制品，饮料等食品工业中。

工作原理

双座防混阀系列是通过压缩空气进行遥控操作的。该阀门于正常情况下常闭。该型阀门具有两个独立的阀芯密封件，在正常工作状态时这两个密封件之间就会形成一个与大气相通的泄漏腔。在偶尔可能出现事故或产品泄漏的情况下，产品就会流进这个泄漏腔，并且从排出口被排放出去，不会造成产品的污染或混料；当阀门处于开启状态时，该漏腔是闭合的，在阀门正常运行过程中，并不存在产品溢出的情况。因此所输送的产品就能够从一条管线流到另一条去。该型阀门可以进行CIP清洗。

齐力双座阀系列配备宝德1066智能控制器不仅能实现双座阀的远程控制，同时能实现对阀门工作状态的实时监控。也可只配备位置传感器。

齐力双座阀系列可通过安装适配板可与宝德公司的1066控制器相匹配使用。

Applications:

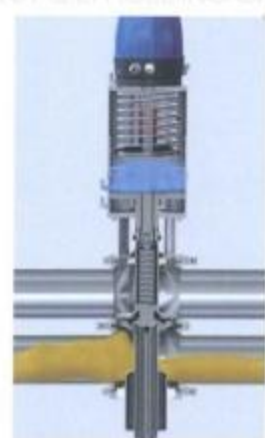
Double seat mix-proof valve application : used for protection mixing products in brewing , dairy and drink .etc

Perating Principles:

Double seat mix-proof valve is controled through compressed air . The valve is a normally closed (NC) valve. The double seat valve has two divided seals of vaive disc . it has ainterlinked cavity of leak between two seal at working . while it happerleaking , the products will inpour the cavity and flow away from exit .it willnot caused pollution and mixing . the leaking cavity closed while the valveworking .it is impossible to overflow for the products .so the products canbe transported from one pipe to another . also the valve can be washing CIP.

Qili double seat valve with burkert company's 1066 intelligent controlhead . not only achieved remote control , and monitoring under working .can setting only transducer.

Qili double seat valve can be controled with 1066 controller from Burkert company through setting adapter plate.



阀门关闭
Valve closed



阀门开启
Valve Open



上部提升阀座清洗
Top lift seat cleaning



下部提升阀座清洗
Bottom lift seat cleaning



应用

单座阀采用非常灵活且符合卫生要求的设计，主要应用于不存在污染或混料的管路系统中，是一种现代化的，应用较为广泛的阀门，主要应用于酿酒，乳制品，饮料，制药等工业中。

工作原理

单座阀系列是通过压缩空气进行遥控操作的。通过控制阀芯的相对位置来启闭阀门的目的（截止式），或改变介质流向（换向式）。单座阀系列配备宝德1066智能控制器不仅能实现单座阀的远程控制，同时能实现对阀门工作状态的实时监控及信号的及时反馈。也可只配备位置传感器。单座阀系列通过安装适配板可与宝德公司的1066控制器相匹配用。

执行装置的功能

- 通过气动方式向下运动，弹簧复位
- 通过气动方式向上运动，弹簧复位
- 通过气动方式向上和向下运动（A/A）

Applications:

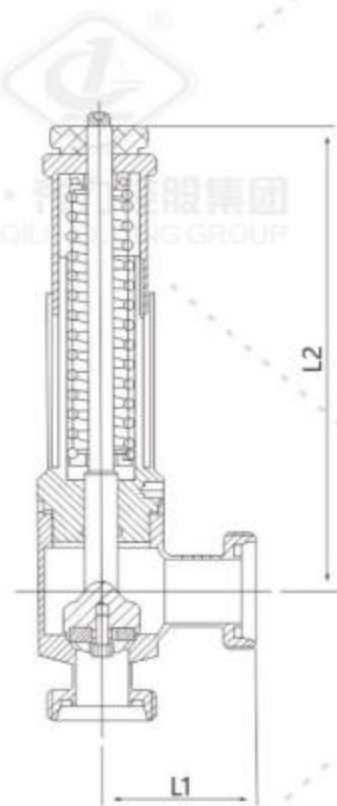
The single-seat valve adopts a very flexible and hygienic design. It is mainly used in pipeline systems without pollution or mixing. It is a modern and widely used valve. It is mainly used in brewing, dairy products, beverages . In the pharmaceutical and other industries.

Operating Principles:

The single-seat valve series is remotely operated by compressed air. The purpose of opening and closing the valve (cut-off type) by controlling the relative position of the spool, or changing the flow direction of the medium (reversing type). The single-seat valve series is equipped with Burkert 1066 intelligent controller, which can not only realize the remote control of the single-seat valve, but also realize the real-time monitoring of the working state of the valve and the timely feedback of the signal. Also available with position sensor only. The single-seat valve series can be matched with Burkert's 1066 controller by installing an adapter plate.

Actuator function:

- downward movement by pneumatic actuator, spring reset
- up movement by pneumatic actuator, spring reset
- upor downward movement by pneumatic actuator



排气真空阀 (PVRV型)
Pressure and Vacuum Release
Valve (Model PVRV)

应用

安全阀是卫生级不锈钢阀门，它的安全设计使得它能保护设备，所以它安装在排放压力的回路，对管路、泵、装置、储罐等起安全保护作用。广泛应用于食品、饮料、乳制品、制药、啤酒等行业。

工作原理

安全阀是通过调整弹簧的压紧螺母来校准一个特定压力。校准压力是为了避免设备损坏而定的最大安全压力值。在正常的工作压力下，阀门是关闭的；当系统压力超过校准压力时，阀门打开。管道系统中的压力得到释放，从而达到对管路及设备的保护。A系列安全阀是增加了气动开启装置，便于对安全阀及其管路进行CIP清洗。B系列安全阀是一种较为特殊的阀门，在出厂时都经过了严格的校验，但为了使阀门能更切合实际运行工况，故有条件时，应尽可能现场对阀门再进行校验。

Applications:

Safety valve is a sanitary stainless steel safety valve, its design makes it adequate for protection of installations in the pharmaceutical industry. It is used to perform pressure bypass for safety purposes in order to protect lines, pumps, fittings, tanks, etc.

Operating Principles:

Under normal operating conditions, the valve remains closed. It is calibrated to a specific pressure by regulating the spring with the pressure nut. The calibrated pressure is a maximum safety pressure to avoid damage of the plant.



中国·齐力控股集团有限公司
CHINA QILI HOLDING GROUP CO., LTD.

安徽齐力不锈钢制品有限公司
ANHUI QILI STAINLESS STEEL PRODUCTS CO., LTD.

安徽齐力金属制品有限公司
ANHUI QILI METAL PRODUCTS CO., LTD.

中国 CHINA

集团总部: 中国浙江省温州市滨海开发区滨海三路3839-1

生产基地: 安徽省怀宁经济技术开发区兴业路1号

锻造冲板基地: 安徽省怀宁经济开发区独秀大道32号

电话: +86-577-86990175

传真: +86-577-86990176

邮箱: sales@wzqlqjx.cn

网址: www.cnqlgroup.com www.cnqlstainless.com



小程序/Applets

国内官网/Website

国际 INTERNATIONAL

Headquarters: 3839-1 Binhai 3rd Road, Binhai Development Zone, Wenzhou, Zhejiang Province, China

Mass Production Factory: No. 1 Xingye Road, Huaining Economic Development Zone, Anhui Province

Forging & Punching Factory: No. 32 Duxiu Avenue, Huaining Economic Development Zone, Anhui Province

Tel: +86-577-86990175

Fax: +86-577-86990176

E-mail: sales@wzqlqjx.cn

Http: www.qilistainless.com www.sanitary-valve-fittings.com



国际官网/Website