



中国·齐力控股集团有限公司
CHINA·QILI HOLDING GROUP CO., LTD.
安徽齐力不锈钢制品有限公司
ANHUI QILI STAINLESS STEEL PRODUCTS CO., LTD.
安徽齐力金属制品有限公司
ANHUI QILI METAL PRODUCTS CO., LTD.

中国 CHINA

集团总部: 中国浙江省温州市滨海开发区滨海三路3839-1
生产基地: 安徽省怀宁经济技术开发区兴业路1号
锻造冲板基地: 安徽省怀宁经济开发区独秀大道32号
电话: +86-577-86990175
传真: +86-577-86990176
邮箱: sales@wzqlqjx.cn
网址: www.cnqlgroup.com www.cnqlstainless.com



国际 INTERNATIONAL

Headquarters: 3839-1 Binhai 3rd Road, Binhai Development Zone, Wenzhou, Zhejiang Province, China
Mass Production Factory: No. 1 Xingye Road, Huaining Economic Development Zone, Anhui Province
Forging & Punching Factory: No. 32 Duxiu Avenue, Huaining Economic Development Zone, Anhui Province
Tel: +86-577-86990175
Fax: +86-577-86990176
E-mail: sales@wzqlqjx.cn
Http: www.qilistainless.com www.sanitary-valve-fittings.com



中国·齐力控股集团
CHINA·QILI HOLDING GROUP

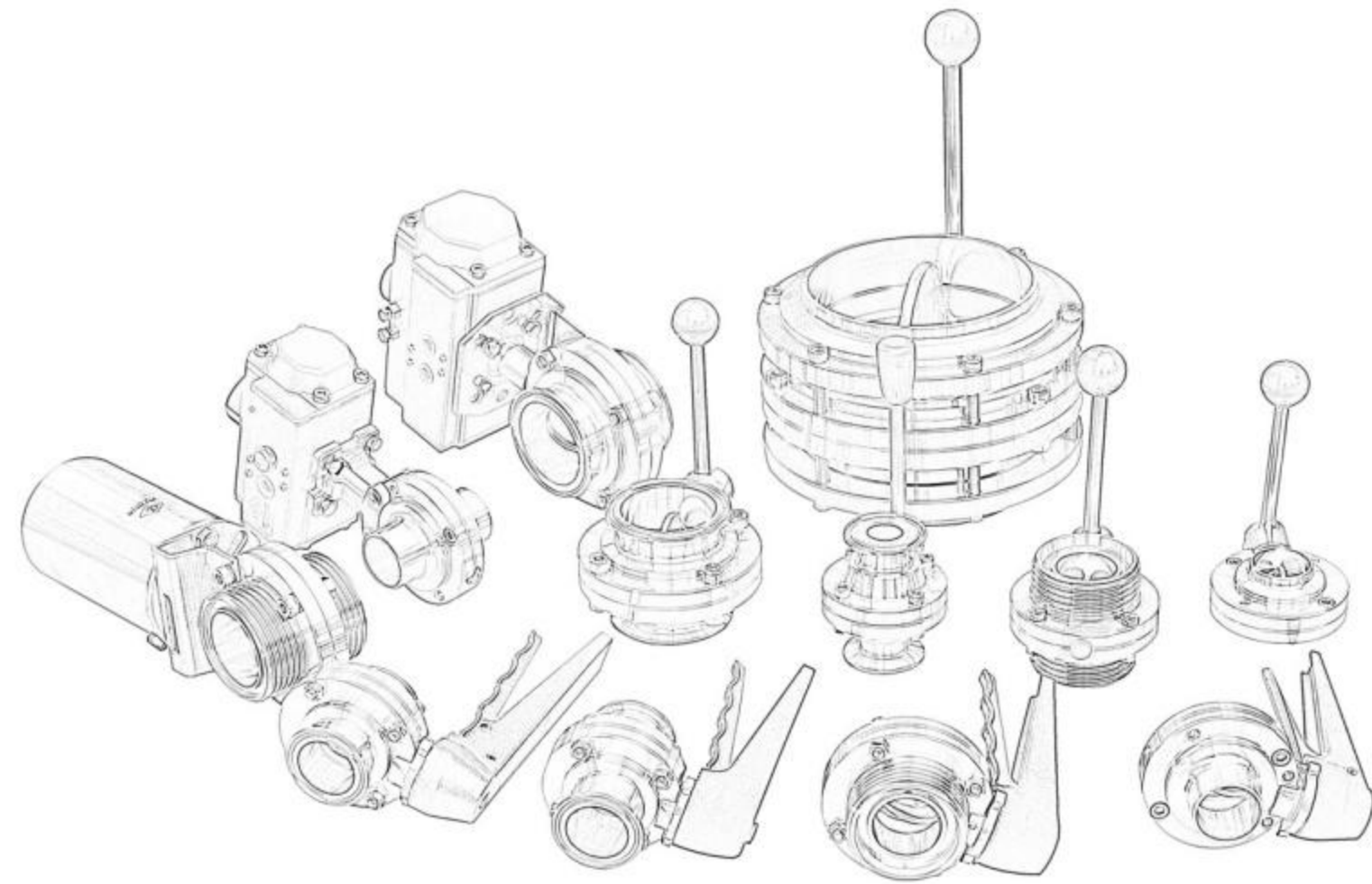


**PROFESSIONAL MANUFACTURER OF
SANITARY FLUID VALVE & PIPE FITTING SOLUTIONS**

高洁净流体设备阀门及管道连接部件
解决方案一站式专业制造商

卫生级蝶阀系列
SANITARY BUTTERFLY VALVE SERIES





中国·齐力控股集团
CHINA QILI HOLDING GROUP

中国·齐力控股集团
CHINA QILI HOLDING GROUP



中国·齐力控股集团
CHINA QILI HOLDING GROUP

卫生级蝶阀系列

Sanitary butterfly valve series

卫生级蝶阀系列
Sanitary butterfly valves

中国·齐力控股集团
CHINA QILI HOLDING GROUP

中国·齐力控股集团
CHINA QILI HOLDING GROUP



中国·齐力控股集团
CHINA QILI HOLDING GROUP

中国·齐力控股集团
CHINA QILI HOLDING GROUP

卫生级气动/手动蝶阀 (RD)

Sanitary Pneumatic/manual Butterfly Valve (RD)

应用

该类型阀门系列是一款卫生型自动或手操作的蝶阀系列，广泛适用于不锈钢管道系统内调节介质流量的一类阀门。

Application:

This type of valve series is a hygienic automatic or manual operated butterfly valve series, which is widely used in a class of valves for regulating medium flow in stainless steel piping systems.

工作原理:

该类型阀门既可以通过一个电动执行器或气动执行器进行远程遥控操作，也可以通过一个手柄进行人为操控。电动执行器或气动执行器是将一个活塞的轴向运动转换为阀门轴的90°旋转，实现对管道流体的控制和开/关任务。气动执行器装置有三种标准：(NO)型，常闭(NC)型，气/气(A/A)型。鸭嘴式手动操作的多位手柄可通过15°位置的调节将阀门机械式锁定在其开启或关闭的12位子上，达到控制介质流量的目的；拉杆式手动操作手柄通过4个多功能定位，将阀门机械式铁定在其开启或关闭的4个位子上，也达到控制介质流量的目的。

Work principle:

This type of valve can be operated remotely via an electric or pneumatic actuator, or manually via a handle. The electric actuator or pneumatic actuator is to convert the axial movement of a piston into the 90° rotation of the valve shaft, so as to realize the control of the pipeline fluid and the opening/closing task. There are three standards for pneumatic actuators: (NO) type, normally closed (NC) type, air/air, A/A) type. The multi-position handle for duckbill manual operation can mechanically lock the valve on its 12 positions of opening or closing by adjusting the position of 15°, so as to achieve the purpose of controlling the medium flow; the lever type manual operation handle uses 4 multi-function Positioning, the valve is mechanically fixed on its open or closed 4 positions, which also achieves the purpose of controlling the flow of the medium.

材质:

钢制部件：不锈钢304、耐酸钢316L
密封圈：硅橡胶 (VMQ)
氟橡胶 (FPM)
三元乙丙 (EPDM)

Material:

steel parts: stainless steel 304 stainless steel 316L
Seal: VMQ
FPM,
EPDM

标准设计:

有各种标准的阀门系列可以向客户提供，即用于DIN标准系列，3A标准系列，ISO/IDF标准系列，BS/RJT标准系列，ASME/BPE等标准系列。该阀门的组成部件一般包括：一个分为两半的阀体，阀门芯片，芯片轴的轴衬套以及轴密封圈，整个阀门是用螺栓及螺母组装在一起。三片式阀门同时还包括两个法兰以及两个法兰密封圈。

Standard Design:

Various standard valve series can be provided to customers, namely DIN standard series, 3A standard series, ISO/IDF standard series, BS/RJT standard series, ASME/BPE and other standard series. The components of the valve generally include: a valve body divided into two halves, a valve chip, a shaft bushing of the chip shaft and a shaft sealing ring, and the whole valve is assembled together with bolts and nuts. The three-piece valve also includes two flanges and two flange seals.

QILI现有的蝶阀系列有：焊接式蝶阀、卡箍式蝶阀、外螺纹式蝶阀、焊接-外螺纹式蝶阀、由任-外螺纹式蝶阀、三片式蝶阀等各种蝶阀。

QILI's existing butterfly valve series include: welded butterfly valve, clamped butterfly valve, external threaded butterfly valve, welded-external threaded butterfly valve, Youren-external threaded butterfly valve, three-piece butterfly valve and other butterfly valves.

QILI现有的执行器包括：1. 不锈钢气动执行器，可提供O85, Φ108和Φ133三种规格；2. 铝制气动执行器，可提供ZT050D, ZT063D, ZT075D, ZT088D, ZT100D, ZT115D六种产品规格；3. 电动执行器，可提供HL-05、HL-10、HL-20的产品规格执行器是用一个托架和螺丝固定在阀门上。

QILI's existing actuators include: 1. Stainless steel pneumatic actuators, which can provide three specifications of O85, Φ108 and Φ133; 2. Aluminum pneumatic actuators, which can provide six products of ZT050D, ZT063D, ZT075D, ZT088D, ZT100D, ZT115D Specifications; 3. Electric actuators can provide product specifications of HL-05, HL-10, HL-20. The actuator is fixed on the valve with a bracket and screws.

QILI现有用于手动操作的手柄规格类型有：1. 拉杆手柄，可提供两种不同的产品规格；2. 多位不锈钢鸭嘴式手柄一种规格可配阀门规格：DN10~DN100/3A3/4~4"/SMS 19~102/DS 1"~4"/ISO、IDFΦ19-Φ108 3. 多位塑料鸭嘴式手柄一种规格可配阀门规格；(与不锈钢鸭嘴式手柄相同) 手动操作的手柄是用阀盖/轴系统和一颗螺丝固定在阀门上。

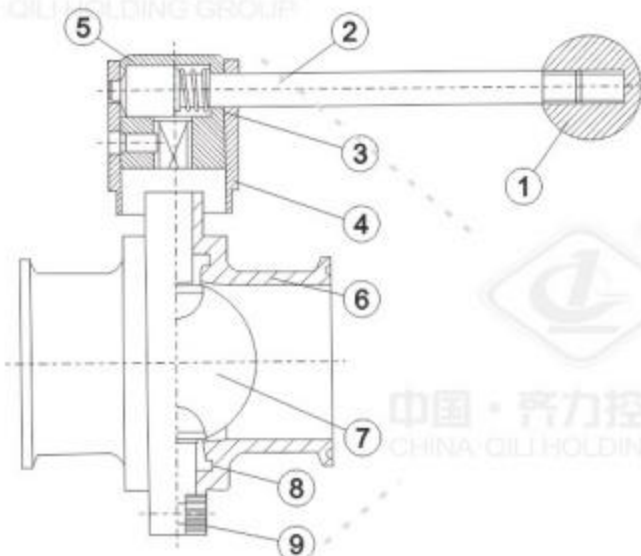
QILI currently has the following handle specifications for manual operation: 1. Lever handle, which can provide two different product specifications; 2. Multi-position stainless steel duckbill handle, one specification can be equipped with valve specifications: DN10-DN100/3A3/4~4"/SMS 19~102/DS 1"~4"/ISO, IDFΦ19-Φ108, 3. One specification of multi-position plastic duckbill handle can be matched with valve specification; (same as stainless steel duckbill handle) Manually operated handles are secured to the valve with a bonnet/shaft system and a screw.



Range of Butterfly Valve

3A No.QL-001

中国·齐力控股集团
CHINA QILI HOLDING GROUP

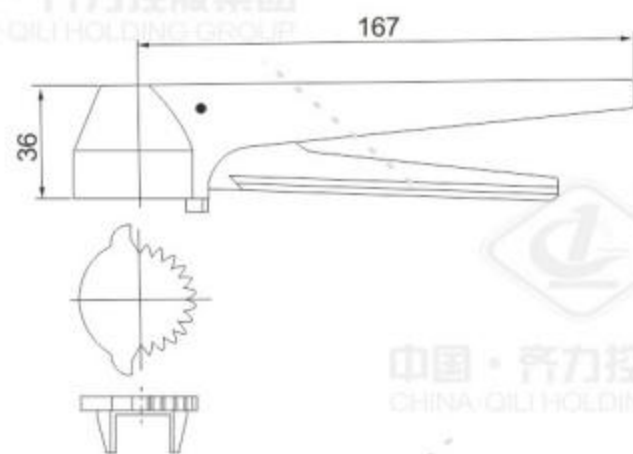


NO.	PARTS NAME
1	电木球 Bakelite Ball
2	拉焊 Tension welding
3	弹簧 Spring
4	固定块 Fixing block
5	旋转块 Rotary transfer block
6	本体 Body
7	碟片 Disc
8	阀座 Valve seat
9	螺栓 Bolt

Torque

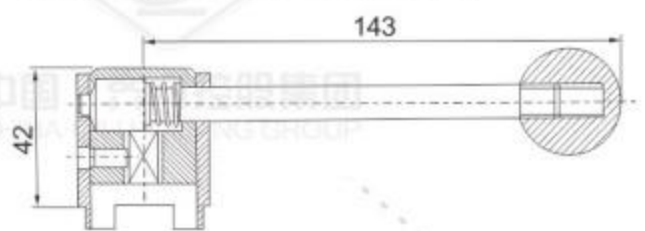
1.0"	<9.8N.m
1.5"	<9.8N.mc
2.0"	13N.m
2.5"	15N.m
3.0"	20N.m
4.0"	30N.m
6.0"	70N.m

**GRIPPER HANDLE 12 POSITION-G12
(NYLON& STAINLESS)**



Can fit 8x8 and 10x10

PULL HANDLE 4 POSITION-P4



Can fit 8x8 and 10x10

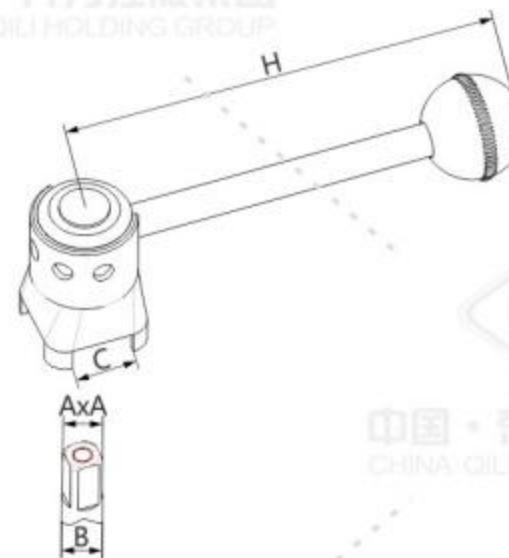
Width Range of Butterfly Valve-C&Ctype
Body: Su304/316/316L material out from precision CNC milling machined.
Body can be changeable and low torque. BSSMSDIN3A Weld end and male/Male end and Clamp end.
Disk: Out from full machined,high polished. Ra less than 0.6µm. 9.5mm and 8x12mm, 12x12mm head for USA and Europe required. Electropolished and PTFE coating can be Required
Handle: Different nylon re-force and stainless steel handle gripper,pull,press type.
From 2 position-12position,design fou you width range and beautiful choice.



Wb型方头拉式手柄 WB Type Square head pull handle

No.QL-002

中国·齐力控股集团
CHINA QILI HOLDING GROUP



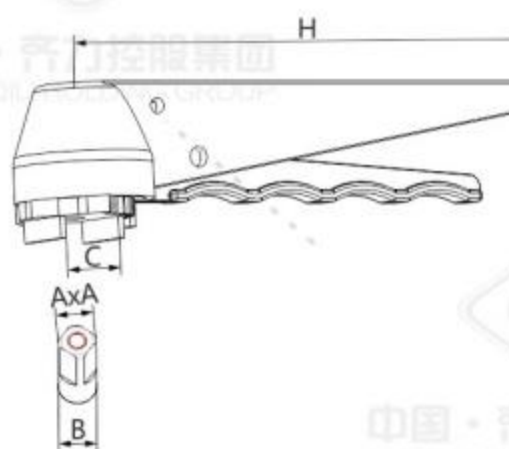
SIZE	A	B	C	H	
DN10-DN50	1/2"-2"	8x8	9.9	20	136
DN65	2.5"	10x10	11.9	22	140
DN80-DN100	3"-4"	10x10	11.9	22	155
DN150	6"	14x14	15	28	190

调节方式: 2个定位、3个定位、4个定位; 可装所有蝶阀
Regulation: 2 Position, 3 position, 4 position, can fit for all kinds of butterfly valves

Wb型不锈钢多位手柄 WB type stainless steel multi-positioning handle

No.QL-003

中国·齐力控股集团
CHINA QILI HOLDING GROUP



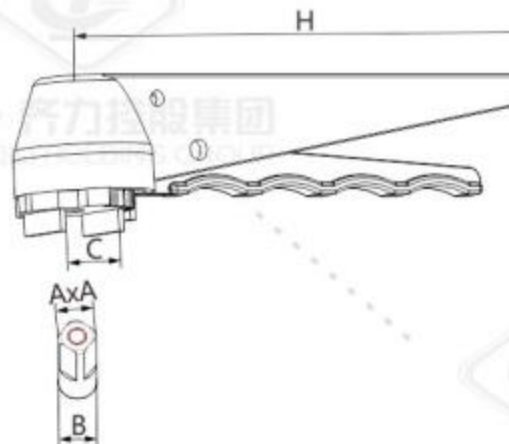
SIZE	A	B	C	H	
DN10-DN50	1/2"-2"	8x8	9.9	22	168
DN65	2.5"	10x10	11.9	24	168
DN80-DN100	3"-4"	10x10	26	168	

调节方式: 可通过15°位置调节开启大小, 共有十三个档位; 可装配所有蝶阀。
Adjusting: adjustmet 15°,13 position used for butterfly valve

Wb型塑料多位手柄 WB Plastic multi-position handle

No.QL-004

中国·齐力控股集团
CHINA QILI HOLDING GROUP



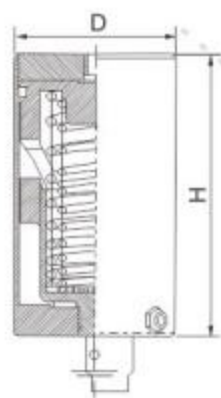
SIZE	A	B	C	H	
DN10-DN50	1/2"-2"	8x8	9.9	22	168
DN65	2.5"	10x10	11.9	24	168
DN80-DN100	3"-4"	10x10	26	168	

调节方式: 可通过15°位置调节开启大小, 共有十三个档位; 可装配所有蝶阀。
Adjusting: adjustment 15°,13 position used for butterfly valve

不锈钢气动执行器 Stainless steel pneumatic actuator

No.QL-005

中国·齐力控股集团
CHINA QILI HOLDING GROUP



SIZE	D	H	可配蝶阀 Available for Butterfly Valve	可配蝶式球阀 Available for Butterfly Ball Valve
85	85	148	1"-4" DN20-DN100	1"-1.5" DN20-DN40
108	108	182	5"-6" DN80-DN100	2"-2.5" DN50-DN65
		255	DN125-DN150	3"-4" DN80-DN100

气动装置有三种标准：常开、常闭、气/气；
制空设备：可装配信号反馈装置、电磁阀等通过这些附件可与自动化系统远程控制
系统等相连接
There are three standards for pneumatic devices: Normally Open, normally closed, Gas/gas;
air-making Equipment: Signal feedback device can be assembled, solenoid valve can be connected with
remote control system of automation system through these accessories

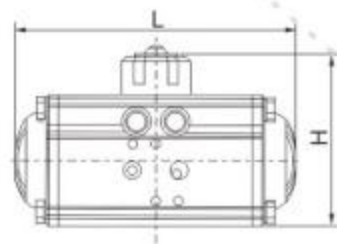
中国·齐力控股集团
CHINA QILI HOLDING GROUP

中国·齐力控股集团
CHINA QILI HOLDING GROUP

铝制气动执行器 Aluminum pneumatic actuator

No.QL-006

中国·齐力控股集团
CHINA QILI HOLDING GROUP



SIZE	L	H	可配蝶阀 Available for Butterfly Valve	可配蝶式球阀 Available for Butterfly Ball Valve
ZT050D	140	89	1"-1.25" DN20-DN32	0.75"-1" DN15-DN25
ZT063D	159	105	1.5"-2.5" DN40-DN65	1.5"-2" DN32-DN50
ZT075D	210	122	3"-3.5" Dn80	2.5"-3" DN65-DN80
ZT088D	248	135	4"-5" DN100-DN125	3"-4" DN80-DN100
ZT100D	270	147	5" DN125	4" DN100
ZT115D	315	165	6" DN150	

气动装置有三种标准：常开、常闭、气/气；
制空设备：可装配信号反馈装置、电磁阀等通过这些附件可与自动化系统远程控制
系统等相连接
There are three standards for pneumatic devices: Normally Open, normally closed, Gas/gas;
air-making Equipment: Signal feedback device can be assembled, solenoid valve can be connected with
remote control system of automation system through these accessories

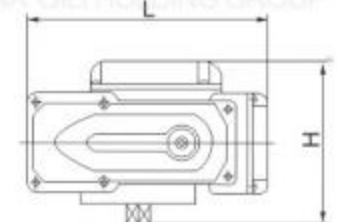
中国·齐力控股集团
CHINA QILI HOLDING GROUP

中国·齐力控股集团
CHINA QILI HOLDING GROUP

电动执行器 Electric actuator

No.QL-007

中国·齐力控股集团
CHINA QILI HOLDING GROUP



SIZE	L	H	H1	可配蝶阀 Available for Butterfly Valve	可配蝶式球阀 Available for Butterfly Ball Valve
HL-05	157.5	115	103	1"-4" DN20-DN100	1"2" DN15-DN25
HL-10	208	124	115	5"-8" DN125-DN200	2 1/2"-3" DN32-DN50
HL-20	280	135	109		4" DN100

气动装置：开关到位灯、无源接触信号、机内智能控制、1K 5K电位计
Pneumatic device: switch position lamp, passive contact signal, in-machine intelligent control,
1k 5k potentiometer

中国·齐力控股集团
CHINA QILI HOLDING GROUP

中国·齐力控股集团
CHINA QILI HOLDING GROUP

技术参数 Technical parameter

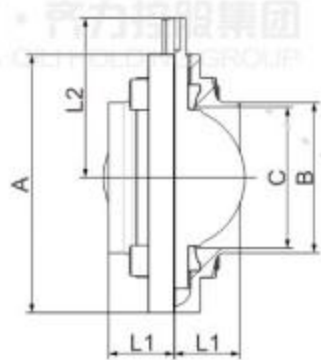
金属材料 Metal materia	与产品接触的零部件 Parts contact with the product 不与产品接触的零部件 Parts contact with the product	304/316L(1.4306/1.4404)锻造 304/316L (1.4306/1.4404) forging 304/202 (1.4301/202)	可提供材质检测报告单 Material inspection report is available
密封材质 Sealing material	标配 Standard 选配 Available	硅橡胶CMQ 三元乙丙EPDM/氟橡胶(FPM)	采用进口密封材料，所有密封材质符合FDA 117.2600 Imported sealant. All sealants comply with FDA117.2600
压力 Pressure	工作压力 Working pressure 控制气源压力 Control air pressure	0~10bar 5~8bar	
温度 Temperature	工作温度 Operating temperature 灭菌温度 Sterilization temperature	VMQ:(-50~+180°C)EODM:(-20~+135°C)FPM:(-30~+230°C) 150°C(MAX 20min)	
表面处理 Surface treatment	内表面处理 Internal surface treatment 外表面处理 External surface treatment	Ra≤0.8 Ra≤0.8	
连接方式 Connection Mode	焊接端管径 Diameter of welded end 连接方式:焊接、夹紧螺纹、内螺纹、法兰等	焊接口: DIN 11850-2与11850-1/SMS/3A/ISC/等系列 Welding interface: Din 11850-2 and 11850-1/SMS/3A/ISO/etc.	Connection: welding, clamp, male thread, female thread, Flange, etc.
选配驱动 Selective drive	智能控制 Intelligent control 气动控制 Pneumatic control		气动头及固定支架 Pneumatic head and fixed bracket
提阀的体积流量单位时间内流过蝶阀问某恒 流面积的流体体积 Lifting Valve volume flow unit time flow through the butterfly valve asked a constant flow area of fluid volume			体积流量: 立方米/小时(m³/h)详细技术数据请参阅(下页) Volume flow: m³/h (m³/h) please refer to the next page for detailed technical data

阀体组合形式 Body combination



焊接蝶阀 Welded Butterfly Valve

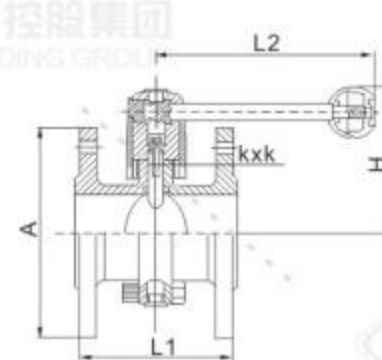
3ABS/SMS No.QL-008



SIZE	A	B	C	L1	L2
1/2"	79	12.7	9.5	23	49.5
3/4"	79	19.05	15.8	23	49.5
1"	79	25.4	22.1	23.5	49.5
1.5"	85	38.1	34.8	23.5	52.5
2"	100	50.8	47.5	26	60
2.5"	115	63.5	60.2	27	67.5
3"	127	76.2	72.9	28	73.5
4"	156	101.6	97.6	30	88
6"	215	152.4	146.8	40.5	142

两边法兰式蝶阀 Flanged butterfly valves

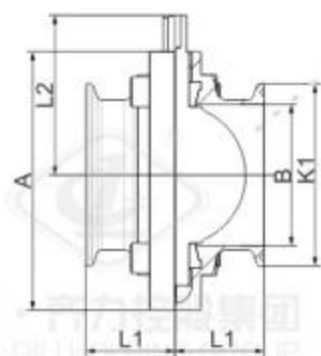
DIN No.QL-012



SIZE	A	L1	L2	H	KxK
DN25	115	94	126	80	8x8
DN32	135	102	126	80	8x8
DN40	145	110	126	86	8x8
DN50	160	112	133	106	8x8
DN65	180	125	144	115	10x10
DN60	195	130	160	122	10x10
DN100	215	152	160	132	10x10
DN125	245	178	220	147	14x14
DN150	180	198	220	162	14x14

卡箍蝶阀 Clamp Butterfly Valve

3A No.QL-009

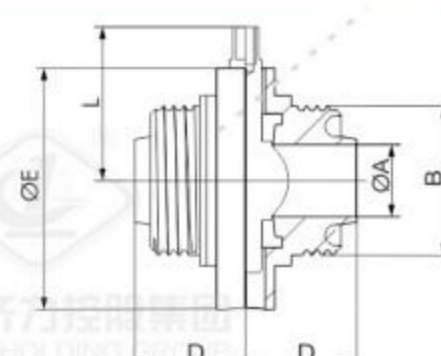


SIZE	A	B	K1	L1	L2
1/2"	79	9.5	25.52	35	49.5
3/4"	79	15.8	25.2	35	49.5
1"	79	22.1	50.5	35	49.5
1.5"	85	34.8	50.5	35	52.5
2"	100	47.5	64	37	60
2.5"	115	60.2	77.5	38	67.5
3"	127	72.9	91	39	73.5
4"	156	97.6	119	45	88
6"	215	146.8	166.8	62.2	142

C Type (Male)

RJT Male/Male Butterfly Valve

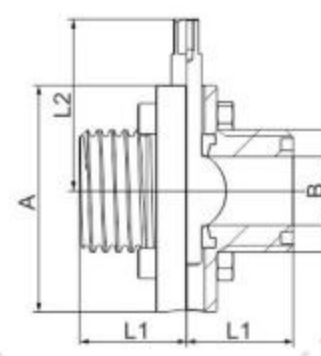
No.QL-013



SIZE	ΦA	B	D	ΦE	L
1.0"	22.1	45.72x8T WHIT	34	79	61
1.5"	34.9	58.42x8T WHIT	38	85	64.3
2.0"	47.6	72.72x6T WHIT	40	105	74.3
2.5"	60.3	85.42x6T WHIT	40	112	77.6
3.0"	73	98.12x6T WHIT	41	125	84.8
4.0"	97.6	123.52x6T WHIT	50	157	101.7

螺纹蝶阀 Threaded butterfly valve

SMS No.QL-010

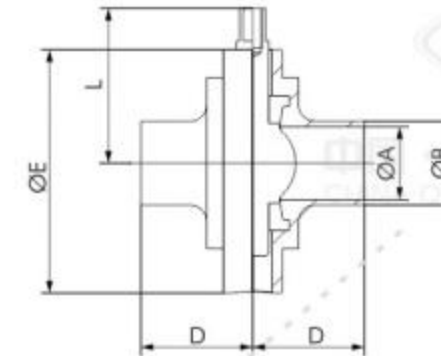


SIZE	A	B	G	L1	L2
DN25	79	22.4	RD40x1/6	35	49.5
DN38	85	35.1	RD60x1/6	35	52.5
DN51	100	47.8	RD70x1/6	37	60
DN63	115	59.5	RD85x1/6	38	67.5
DN76	127	72.2	RD98x1/6	39	73.5
DN104	156	97.6	RD125x1/4	45	88

A Type (Weld)

Weld Butterfly Valve

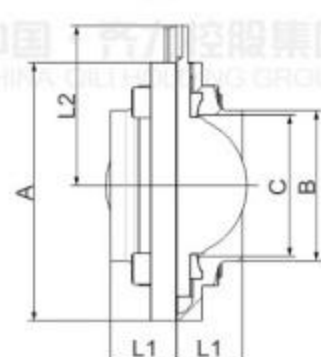
No.QL-014



SIZE	ΦA	ΦB	D	ΦE	L
1"	22.1	25.4	34	79	60.95
1.5"	34.9	38.1	38	85	63.95
2"	47.6	50.8	40	105	71.5
2.5"	60.3	63.5	40	112	71.5
3"	73	76.2	41	125	86.5
4"	97.6	101.6	44	157	107.7

焊接蝶阀 Welded Butterfly Valve

DIN No.QL-011

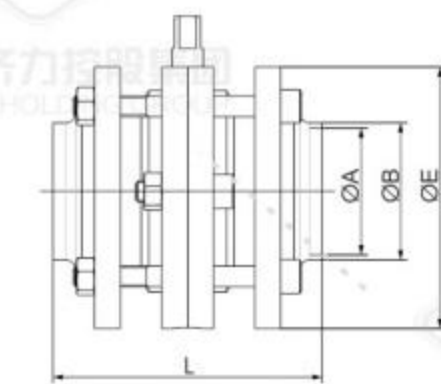


SIZE	A	B	C	L1	L2
DN25	79	28/29	25/26	23.5	49.5
DN32	82	34/35	31/32	23.5	48.5
DN40	92	40/41	37/38	25	52.5
DN50	106	52/53	49/50	26	63.5
DN65	127	70	66	28	71.5
DN85	140	85	81	29	78.5
DN100	156	104	100	30	87.5

G type 3pcs

DIN Weld Butterfly Valve

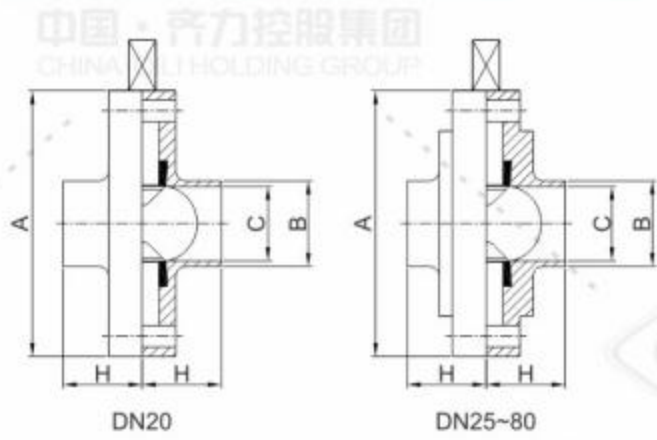
No.QL-015



SIZE	ΦA	ΦB	ΦE	L
DN25	25/26	28/29	79	90
DN32	31/32	34/35	82	90
DN40	37/38	40/41	92	100
DN50	49/50	52/53	106	100
DN65	66	70	127	100
DN80	81	85	140	136
DN100	100	104	156	136

焊接蝶阀欧洲款-01 Welding Butterfly Valve For Europe-01

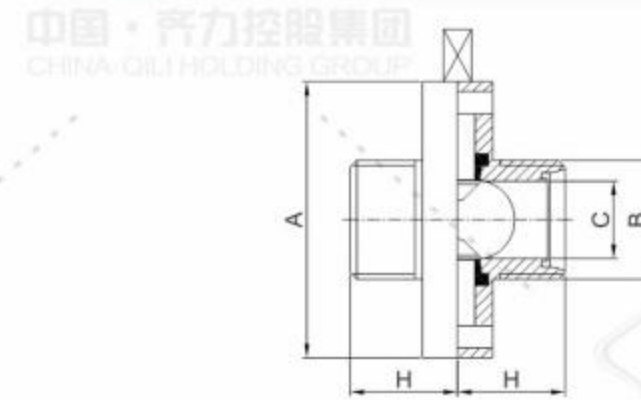
No.QL-016



SIZE	A	B	C	H
DN20	58	22	19	20
DN25	87	28	25	20
DN32	92	35	32	21
DN40	97	41	38	25
DN50	110	53	50	25
DN65	127	70	66	25
DN80	142	85	81	30

螺纹蝶阀俄罗斯款-02 Thread Butterfly Valve For Russia-02

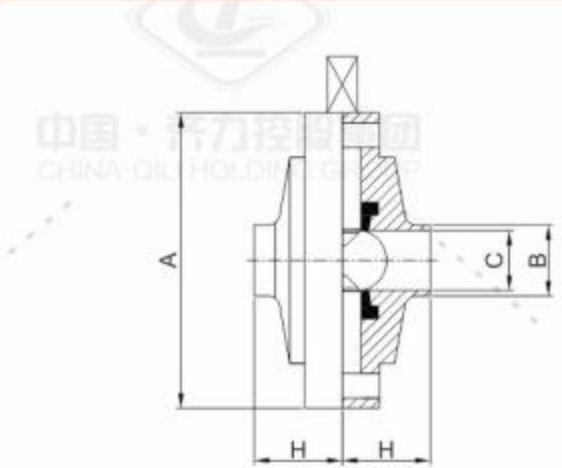
No.QL-019



SIZE	A	B	C	H
DN25	79	RD52x1/6	25	35
DN32	86	RD58x1/6	31	35
DN40	90	RD65x1/6	37	37
DN50	106	RD78x1/6	50	38
DN65	124	RD95x1/6	66	40
DN80	139	RD110x1/6	81	45
DN100	159	RD130x1/6	100	52

焊接蝶阀俄罗斯款-02 Welding Butterfly Valve For Russia-02

No.QL-017



SIZE	A	B	C	H
DN25	79	28	25	23.5
DN32	86	35	31	25
DN40	90	40	37	25
DN50	106	53	50	26
DN65	124	70	66	28
DN80	139	85	81	30
DN100	159	104	100	32

三通联动蝶阀 Three-way linkage butterfly valve

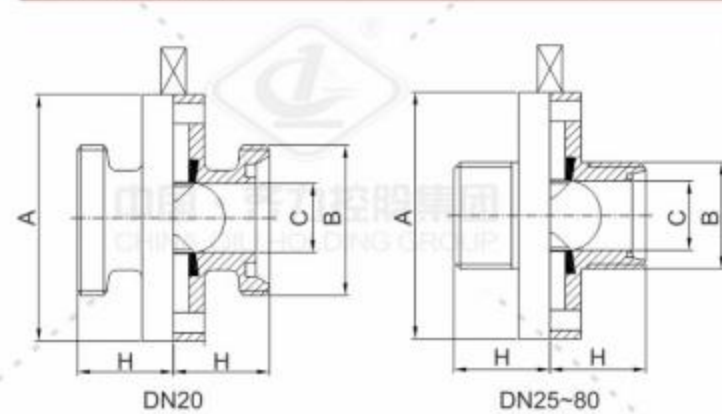
No.QL-020



SIZE	A	B	L1±3	L2±3
1.5	50.5	34.8	211	116
2	64	47.5	264	157

螺纹蝶阀欧洲款-01 Thread Butterfly Valve For Europe-01

No.QL-018



SIZE	A	B	C	H
DN20	58	RD44x1/6	19	39
DN25	87	RD52x1/6	26	32
DN32	92	RD58x1/6	32	32
DN40	97	RD65x1/6	38	36
DN50	110	RD78x1/6	50	36
DN65	127	RD95x1/6	66	38
DN80	142	RD110x1/6	81	50